

## TRIPLE-R 16



Tuned for a spot beam pattern, while still achieving a decent spread of light in the mid-long range, the Triple-R 16 comprises 16 high power LEDs producing 16,400 lumens at only 180 watts. The light delivers 1 lux at a distance of 900m, which at a mere 2.46kg, and 30" in length, it's phenomenal levels of illumination for a product of its size. Through the use of the Triple-R Reeded Lens system, the beam pattern can be easily tailored to provide additional spread when, or if, required.



## ULTRA LONG-RANGE LED DRIVING LAMPS

# TRIPLE-R

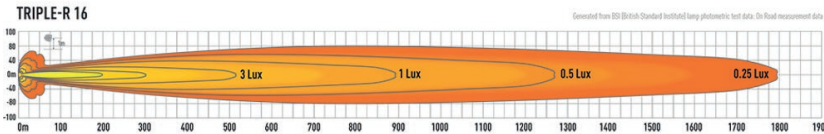
## TRIPLE-R 16



- Ultra long range optics
- High output LED's from world leader in LED technology
- Dynamic Drive Modulation optimises light output at all times considering thermal conditions of the lamp
- 'Unbreakable' polycarbonate lens
- Supplied with vehicle wiring kit (8216-12V-SW) and both Side Brackets (1118K) and sliding Centre Mounts (1114K)
- Designed & manufactured in Britain

### TECHNICAL SPECIFICATIONS

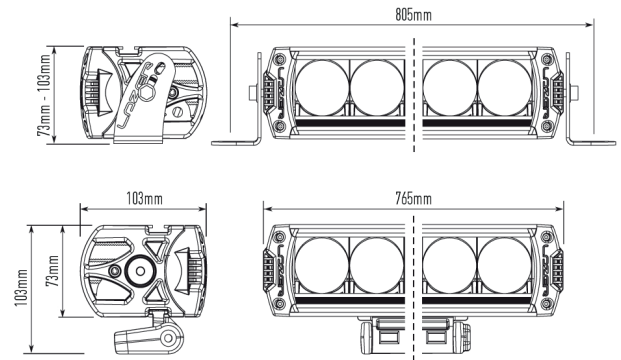
E-MARK REF	N/A
VOLTAGE RANGE	9V - 32V
RAW LUMENS	16400
BEAM PATTERN	Spot
OPTICAL EFFICIENCY	92%
BEAM DISTANCE (0.25LX)	1796m
# HIGH POWER LEDs	16
POWER CONSUMPTION	180 Watts
CURRENT DRAW <sup>†</sup>	12.5 Amps
LED LIFE	50,000 Hrs*
WEIGHT	2460g



### MOUNTING OPTIONS:



(Side Bracket kit sold separately)



\* LED Manufacturers Specifications †At 14.4 Volts

#### LAZER LAMPS LTD

Units 1+2, Harlow Mill Business Centre, Riverway, Harlow, Essex. CM20 2FD. UK

Tel: +44(0)1992 677374

Email: sales@lazerlamps.com

www.lazerlamps.com

# LAZER

HIGH PERFORMANCE LIGHTING

