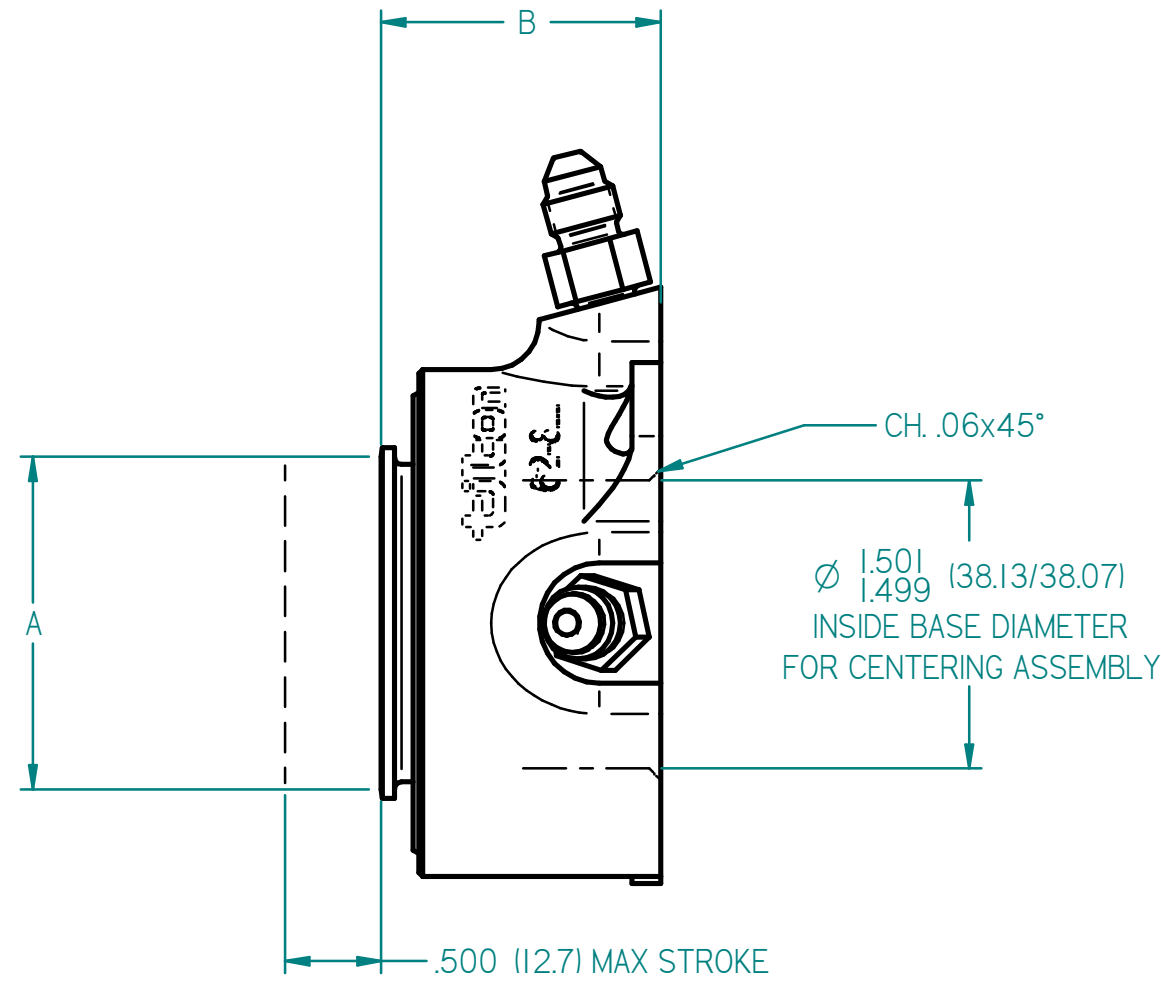
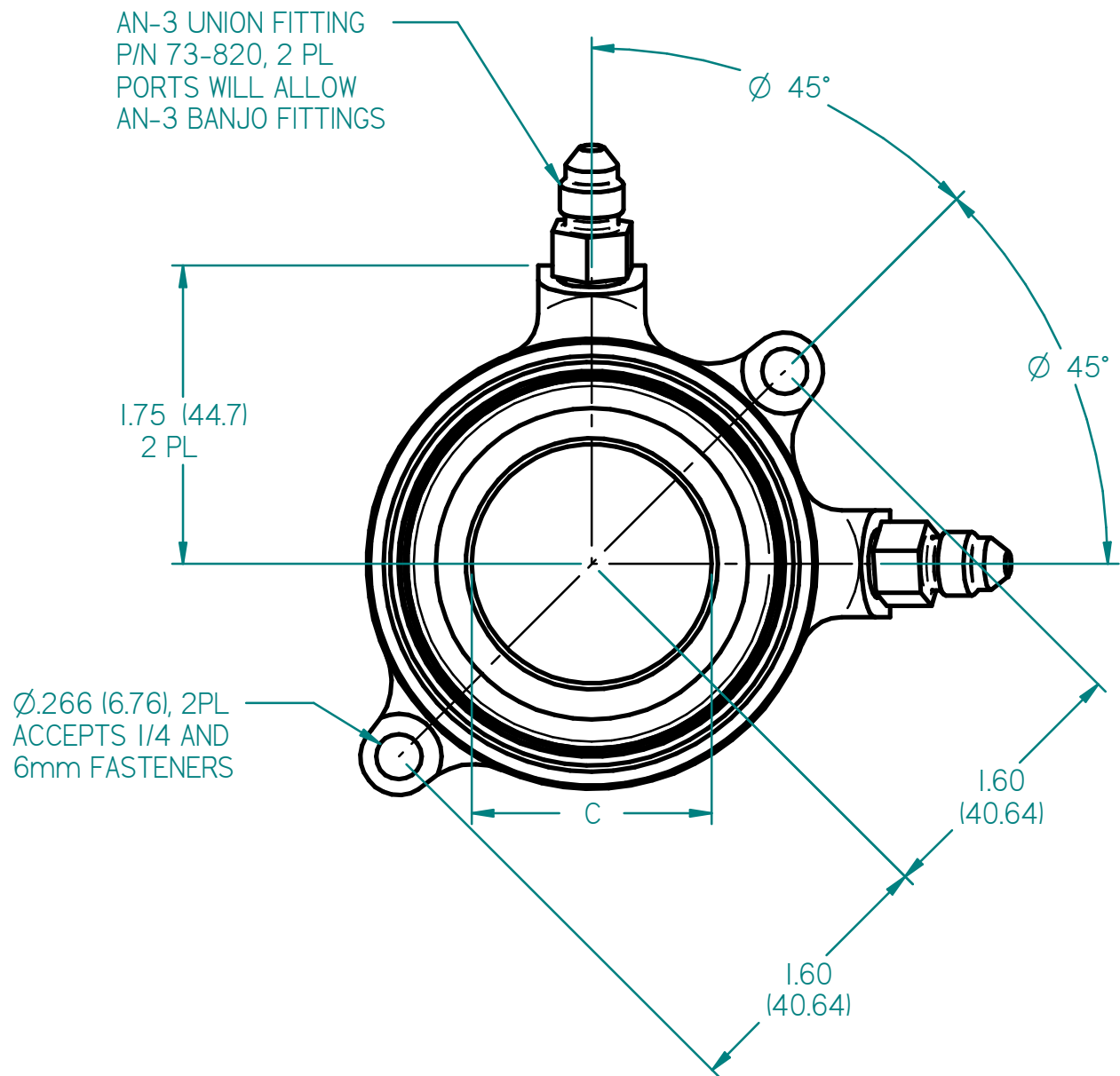


ZONE	CHKD	DATE	REV	ECN	CHANGE OR ADDITION
------	------	------	-----	-----	--------------------

AN-3 UNION FITTING
P/N 73-820, 2 PL
PORTS WILL ALLOW
AN-3 BANJO FITTINGS



- NOTES:**
1. MAXIMUM ALLOWABLE STROKE .500
 2. SELF ADJUSTING FOR CLUTCH WEAR
 3. SET CLEARANCE AT .150 WITH NEW CLUTCH ASSEMBLY.
 4. ONE PORT MUST BE SET WITHIN 10 DEG. FROM VERTICAL FOR BLEED PORT.
 5. WIPER AND MAIN SEAL KIT P/N 62-905. INSTALL MAIN SEAL WITH SMOOTH SIDE AGAINST PISTON.

PART NUMBER	BEARING	A, CONTACT DIAMETER	B, HEIGHT	C, BEARING I.D.
61-8123	62-008	1.50 (38.0)	1.46 (37.1)	1.260 (32.0)
61-8122	62-031	1.73 (44.0)	1.45 (36.8)	1.405 (35.7)

TILTON ENGINEERING, INC. FAX 805/688-2745
 25 EASY STREET, P.O. BOX 1787, BUELLTON, CA 93427 805/688-2353

**TITLE: ASSEMBLY DRAWING FOR LOW PROFILE HRB
 62-808 BASE, 62-6200 PISTON, .500 MAX STROKE**

DRAWN BY CHAMBERS	CHKD	SCALE 1 : 1	SIZE B	DWG 4906	REV NC
P/N SEE TABLE	DATE 1/19/05	SHEET 1 OF 1			

This document contains proprietary information of TILTON ENGINEERING, INC., and its receipt or possession does not convey the rights to reproduce, disclose its contents, or to manufacture, use or sell anything it may describe. Reproduction, disclosure, or use without specific written authorization of TILTON ENGINEERING INC. is strictly forbidden.

